

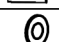

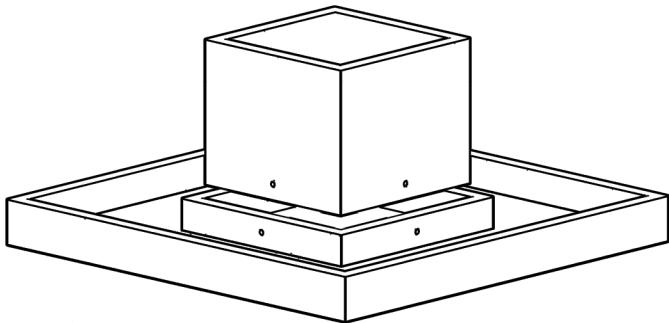
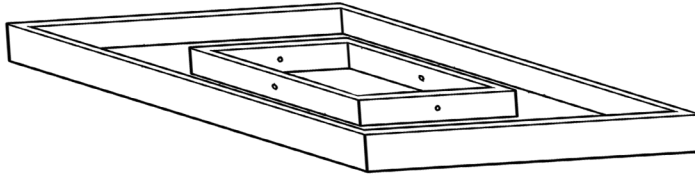
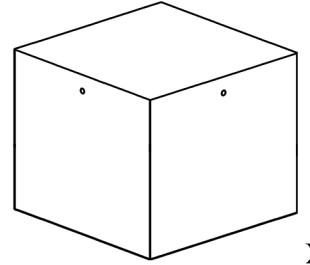
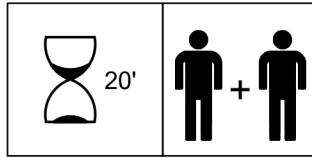
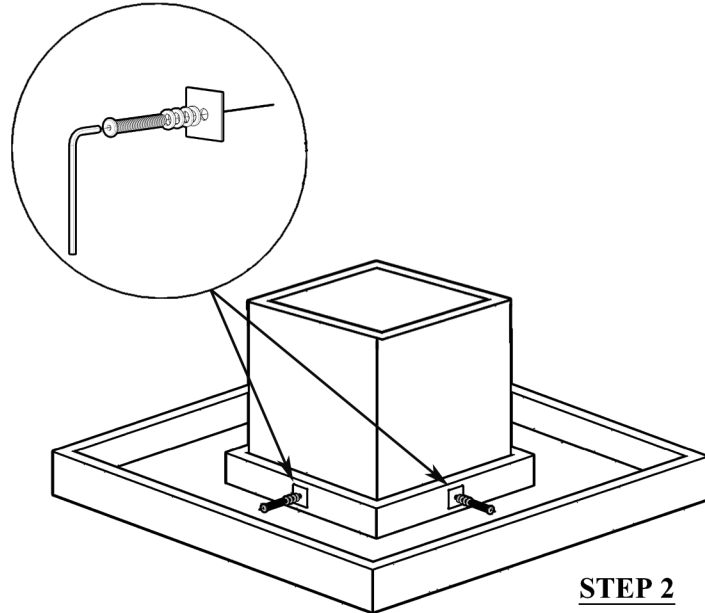


ASSEMBLY INSTRUCTIONS

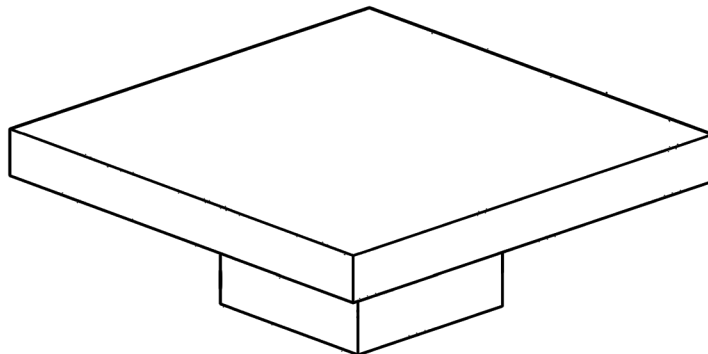
No.	Hardware	Q.ty
①	Bolts M8x60 	04
②	Washer 	04
③	M8xØ18 	16
④	Key K4 	01



STEP 1



STEP 2



FINISHED