
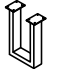



PARTS AND HARDWARE

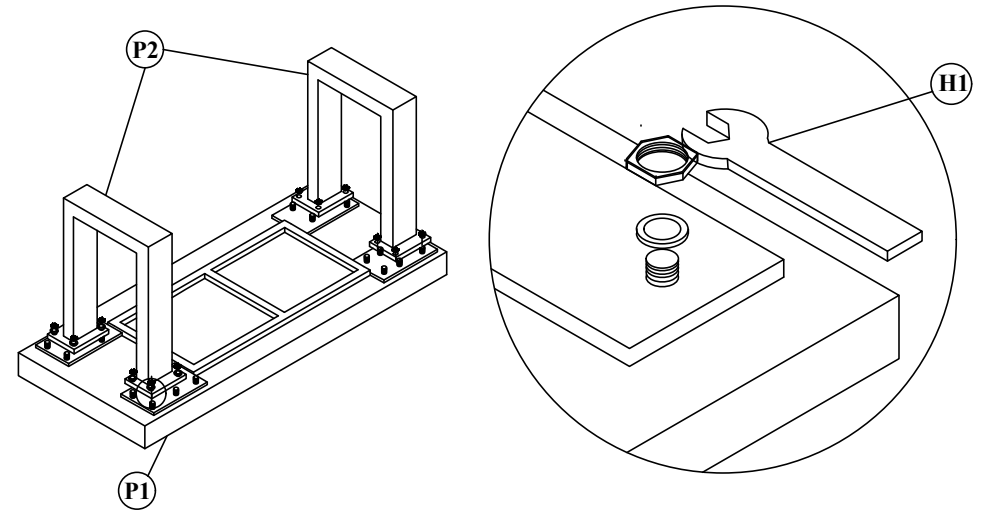
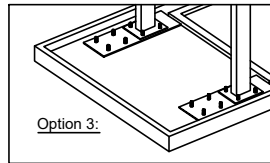
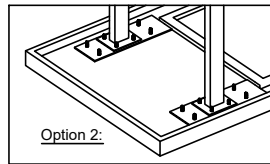
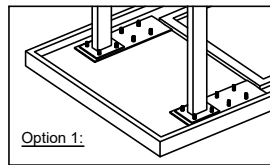
PARTS LIST

No.	DESCRIPTION	IMAGE	Q'TY
P1	CONCRETE TOP		01
P2	METAL LEG		02

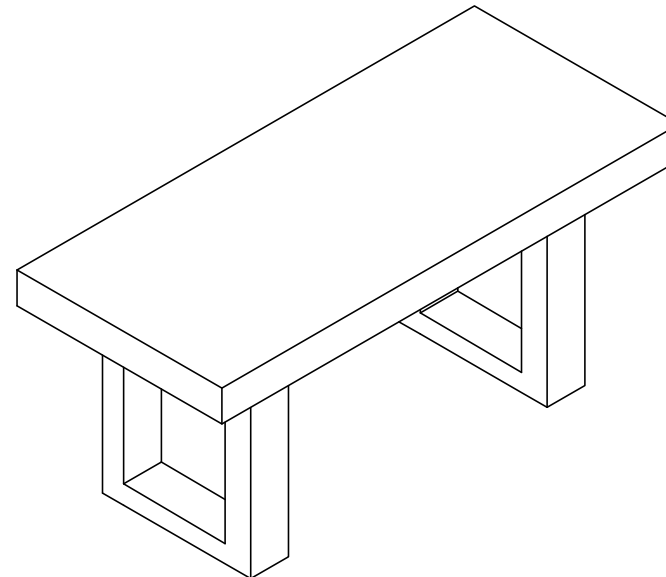
HARDWARE LIST

No.	DESCRIPTION	IMAGE	Q'TY
H1	SPANNER		01

STEP 1. Metal legs can install with concrete top 3 options as below:



STEP 2.



CAUTION: Item is heavy. Assembly should be performed by four people.