


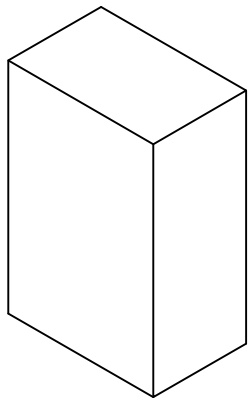
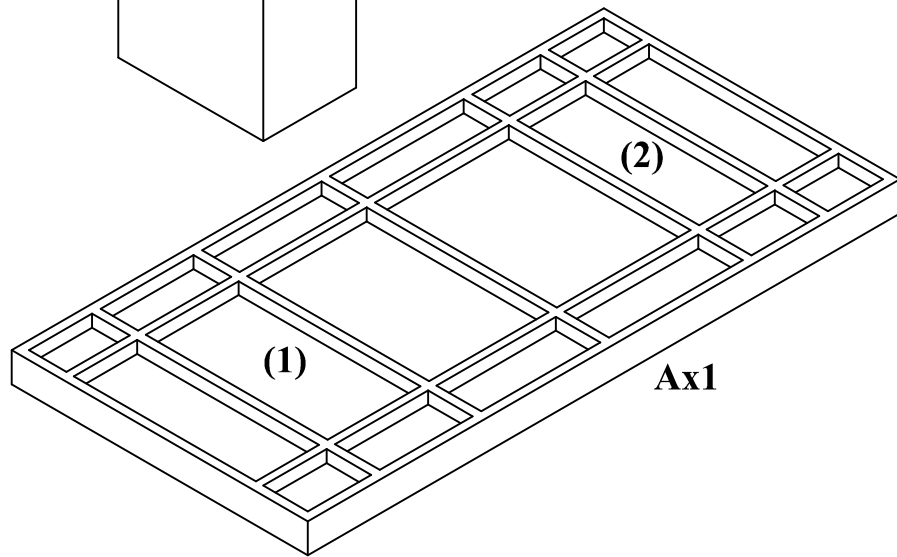


No.	Hardware	Q.ty
①	Bolts M8x50 	04
②	M8xØ16 	04
③	SQUARE WASHER	04
④	Key K4 	01

**PART LIST**



**Bx2**

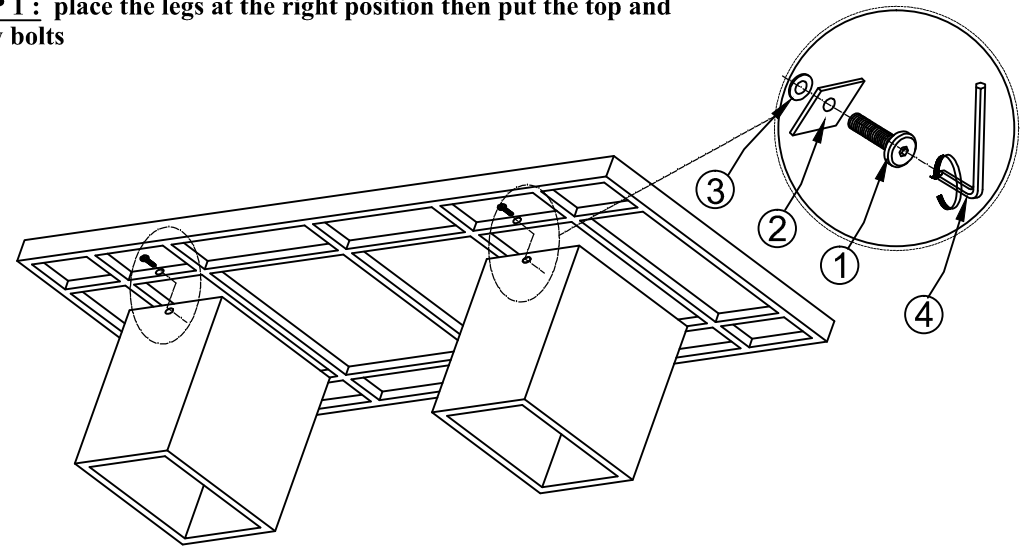


**(1)**

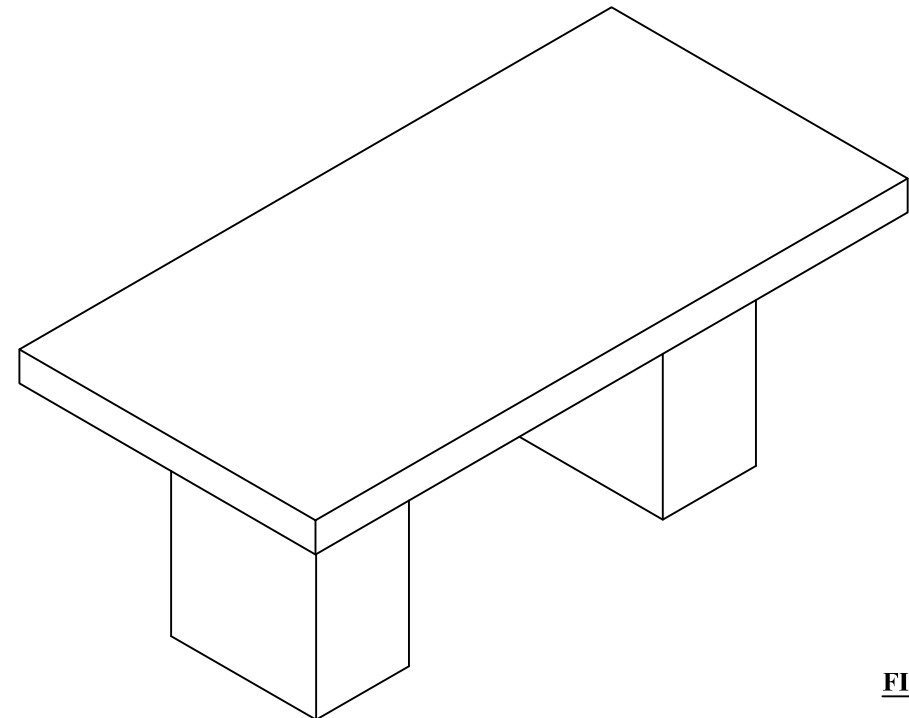
**Ax1**

**ASSEMBLY INSTRUCTION**

**STEP 1 :** place the legs at the right position then put the top and fix by bolts



This table have to be set up at the place which it will be stayed and separate legs and top before moving



**FINISHED**