



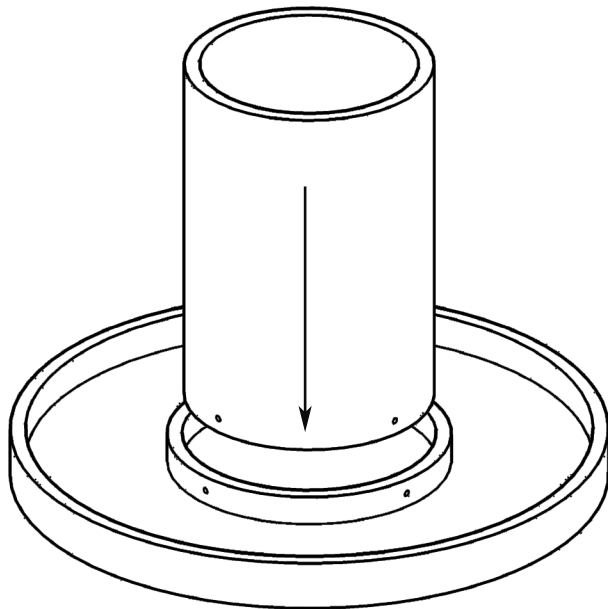
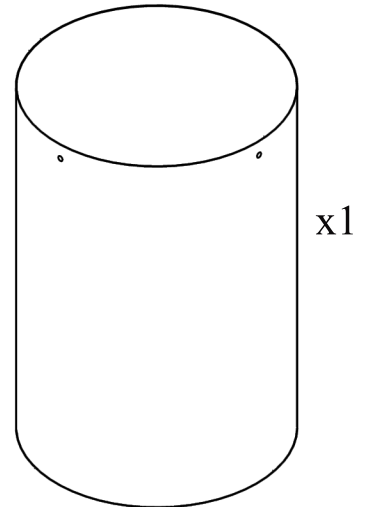
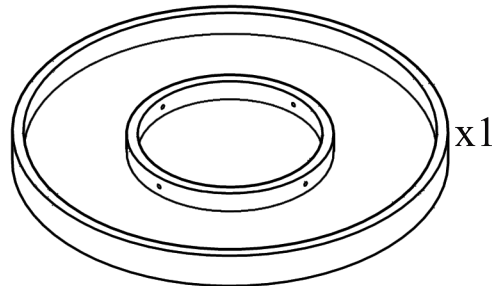
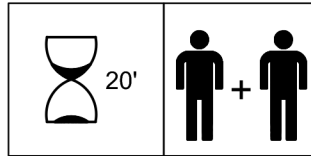
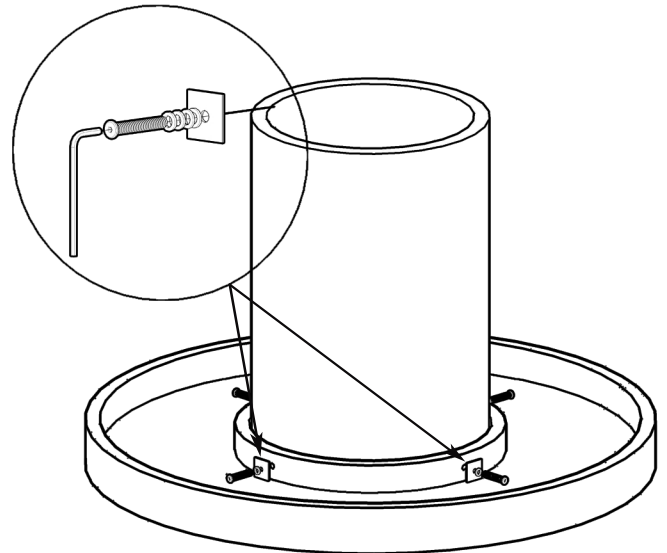


# ASSEMBLY INSTRUCTIONS

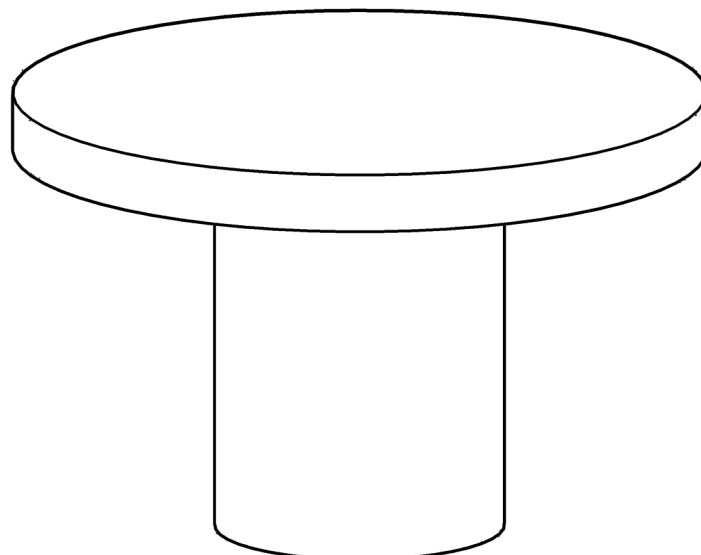
No.	Hardware	Q.ty
①	Bolts 	04
②	Washer 	04
③	M8xØ20 	12
④	Key K4 	01



**STEP 1**



**STEP 2**



**FINISHED**